

ROBUS®

COMMERCIAL

DALLAS LED BACKLIT PANEL

30W, 40W, IP20



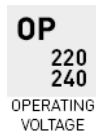
PRODUCT INFORMATION DOCUMENT

FEATURES

- UGR≤19 versions available in 4000K
- TP rated diffuser RDL3040-01 with TPa and RDL40406060UGR-01 with TPb
- Allows compliance with project requirements for Low Glare in offices or classrooms and all other parts of the building
- Emergency pack available providing high lumen light output on mains failure
- Includes mounting point for a safety strap
- High efficiency with minimal flicker
- Uses Backlit luminaire construction design
- Suitable for switching by PIR, Microwave or photocell for additional energy savings

CONSTRUCTION

- White powder coated aluminium frame
- Polystyrene TP rated diffuser



| Product Code: | RDL3040-01 | RDL40406060UGR-01 |
|------------------------------------|----------------|-------------------|
| Comparable to: | 4x18W T8 | 4x18W T8 |
| Total Power (W): | 30.0 | 38.0 |
| Power Factor: | 0.97 | 0.97 |
| Total Light Output (lm): | 3280 | 4100 |
| Total Emergency Light Output (lm): | NA | NA |
| Efficacy (lm/cctW): | 109 | 108 |
| Lux at 1m (lux): | 1510 | 1970 |
| Emergency Lux at 1m (lux): | NA | NA |
| CCT (K): | 4000 | 4000 |
| CRI: | 80 | 80 |
| IP: | 20 | 20 |
| Operation Temperature (°C): | -20 ≤ Ta ≤ +40 | -20 ≤ Ta ≤ +40 |
| Inrush Current: | 8.8A/7.6us | 30.4A/4.4us |
| RG Value: | 0 | 0 |
| SDCM: | 6 | 6 |
| P _{ST} LM: | NA | NA |
| SVM: | NA | NA |
| Energy Class: | D | E |
| Rated Life to L70B50 (Hrs): | 50000 | 50000 |
| Dimensions ØxH (mm): | 595x595x32 | 595x595x32 |
| Weight (kg): | 1.9 | 2.1 |

| Separate Control Gear Information | | |
|-----------------------------------|-----------|-----------|
| Type of Light Source: | LED | LED |
| Full Load Efficiency (%): | 89 | 87 |
| P _{NET} (W): | NA | NA |
| Dimensions (mm): | 108x43x25 | 123x45x30 |

Product is certified to all the relevant standards.

Please contact our technical department for market specific compliances.

PLEASE NOTE: INFORMATION IN THIS DOCUMENT MAY BE SUBJECT TO CHANGE WITHOUT PRIOR NOTICE

IRE: TEL: +353 1 709 9000
 UK: TEL: 0800 973 220
 AUS: TEL: +61 7 3890 5444
 NZ: TEL: +64 03 668 5285

WEB: ROBUS.COM
 WEB: ROBUS.COM
 WEB: ROBUS.COM.AU
 WEB: ROBUSLED.CO.NZ

LED GROUP EUROPE · UK · AUSTRALIA · NEW ZEALAND · ASIA · MIDDLE EAST · AFRICA

DALLAS LED BACKLIT PANEL

30W, 40W, IP20

Cone Illuminance Diagram

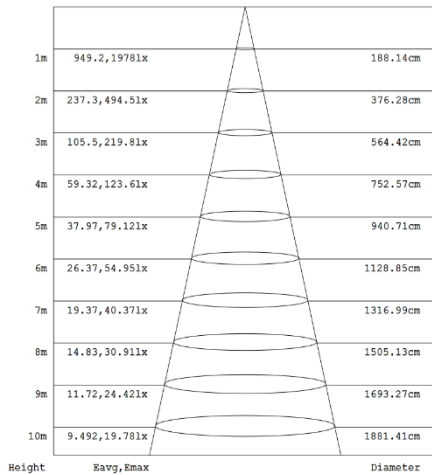
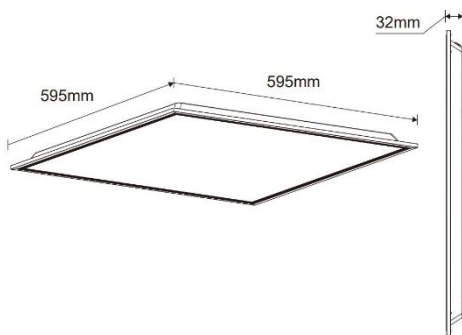


Diagram for RDL40406060UGR-01 in 4000K. Other diagrams available on

Dimension Diagram



Sensor Data

| | |
|--------------------------------|----|
| Time Off Delay: | NA |
| Illuminance Switching Range: | NA |
| Sensitivity Range (%): | NA |
| Mounting Height (max): | NA |
| Detection Zone Diameter (max): | NA |

Polar Intensity Diagram

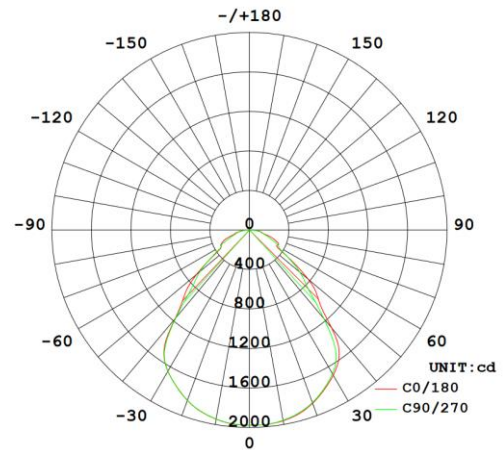


Diagram for RDL40406060UGR-01 in 4000K. Other diagrams available on

Accessories

| | |
|--------------|--|
| R3EMPK4-PSU | 3 Hour Emergency Pack with LiFePO4 Battery |
| HED2040-D | 1-10V, DALI and Push dim driver available |
| RDLSST | Safety Strap kit for DALLAS Panels |
| RDL6060SF-01 | Surface Mount Box Kit for 600x600 panel |
| | White 70mm deep Flat Pack |
| RDLSUS-4W | 1.5m Stainless Steel Suspension Kit |